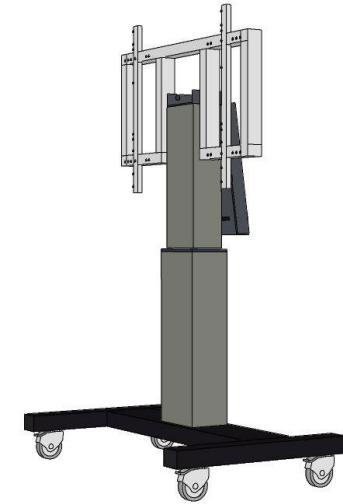
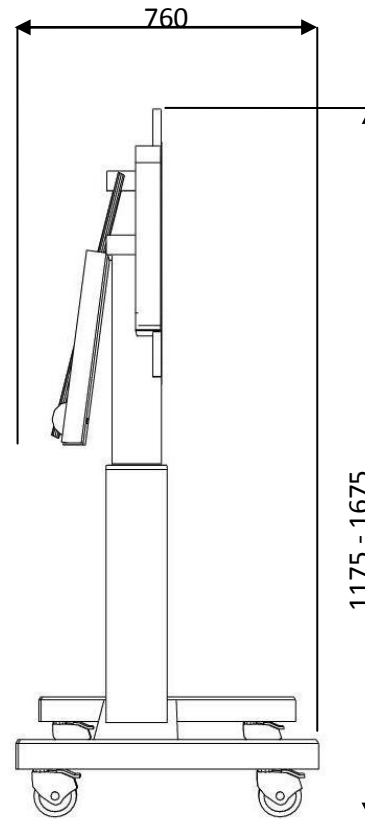
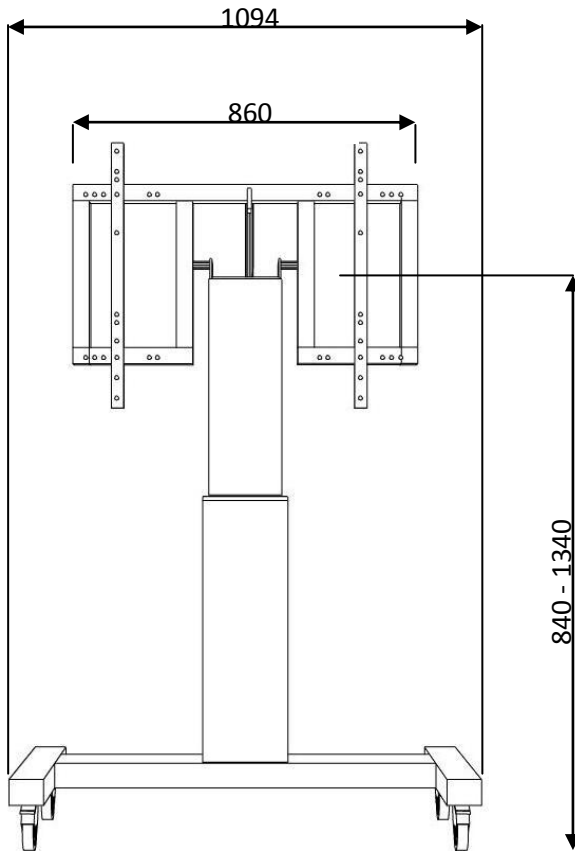


**SCETTA**

Mobile cart with motorized height adjustment & tilt



<b>Product reference:</b>	<b>SCETTA</b>
<b>Product description</b>	mobile stand with motorized height adjustment and tilting display frame. For 42"-70" (interactive) Flat-Panel Display
<b>Consists of:</b>	AFSCETTA display frame with external actuator for tilt CCET50 motorized center column MSTSCETA mobile stand
<b>Weight capacity:</b>	120 kg / 265 lbs
<b>Net system weight:</b>	67 kg / 147 lbs

Dimensions in mm

