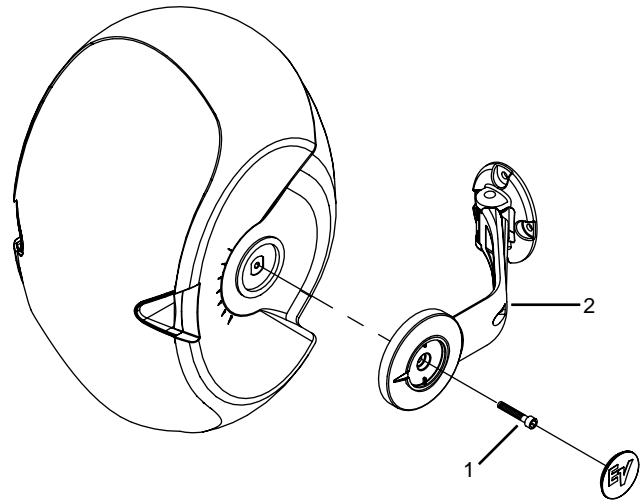




For Use with EVID Models 3.2 and 4.2

1. Remove Speaker and Wall Mount Bracket
 - a. Remove Screw (1) from Speaker Bracket (2)



2. Attach EVID Speaker (1) to HS Series Stand (2) using the screw removed from step 1

