

Xi-1152A/94F
**15-Inch Two-Way,
 Full-Range 90° x 40°
 Sound Reinforcement System**



Key Features:

- **Very-Compact/High-Level, Two-Way Design**
- **EVX155 15" Woofer with 4" Voice Coil**
- **ND6-16 3" Diaphragm HF Compression Driver**
- **90° x 40° Coverage Pattern**
- **Fully Rotatable HF Section for Vertical or Horizontal Suspension**
- **Built-In L-Track Rigging on Top and Bottom**
- **Ring-Mode Decoupling / RMD™**
- **Integrated Stand Mount**
- **Available in Black and White**



General Description:

The Electro-Voice® Xi-1152A/94F is a second-generation loudspeaker system ideal for professional touring or installation applications requiring accurate, high-level sound reinforcement from a very compact enclosure. Because of the unique performance capabilities featured in this system, the X-Array Install™ Xi-1152A/94F offers extremely wide-range music reproduction as well as accurate vocal coverage and maximized intelligibility. The Xi-1152A/94F and associated controller combinations are recommended for applications requiring full bandwidth down to 44 Hz. Where very high levels of deep bass are required, maximum performance may be achieved with the addition of the Xi-1191A (single 18-inch subwoofer). The Xi-1152A/94F features an EVX155 15" transducer and an ND6-16 3" voice coil Neodymium driver on a 1.4" horn throat exit, providing extended frequency response with even, controlled coverage. This system has integrated L-track rigging for flying or arraying multiple enclosures.

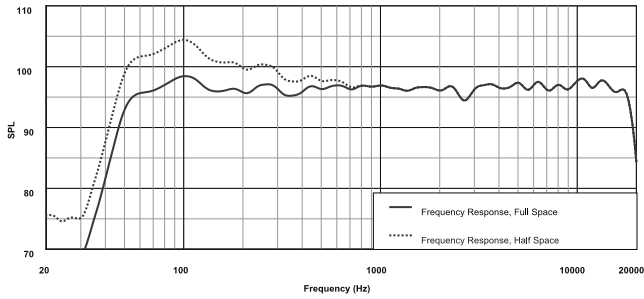
Technical Specifications:

Freq. Response ¹ (-3 dB):	50 Hz - 18 kHz
Freq. Range ¹ (-10 dB):	44 Hz - 20 kHz
Max Calculated SPL:	126 dB Cont. Avg., 132 dB Peak
Coverage:	90° x 40° (Rotatable)
LF Power Handling:	600W Continuous, 2400W Peak
HF Power Handling:	75W Continuous, 300W Peak
LF Sensitivity:	99 dB, 1W/1m
HF Sensitivity:	113 dB, 1W/1m
LF Impedance:	8 ohms (Nominal)
HF Impedance:	16 ohms (Nominal)
LF Transducer:	EVX155 15" (381mm) Driver, 8 ohms
HF Transducer:	ND6-16 3" (76mm) Diaphragm Comp. Driver, 16 ohms
Crossover Frequency:	Use Recommended Parameters ²
Connectors:	Two Neutrik Speakon® NL4's Paralleled
Enclosure Material:	13-ply Birch plywood
Grille:	16 GA steel
Dim (H x W x D):	759 x 455 x 414 mm (29.9" x 17.9" x 16.3")
Net Weight:	36.3 kg (80 lbs)
Shipping Weight:	38.6 kg (85 lbs)

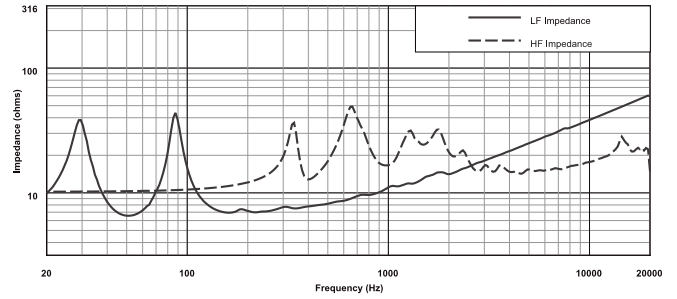
¹ Full Space measurement with a Dx38 Controller.
² Download at www.electrovoice.com

Xi-1152A/94F Full Range Loudspeaker

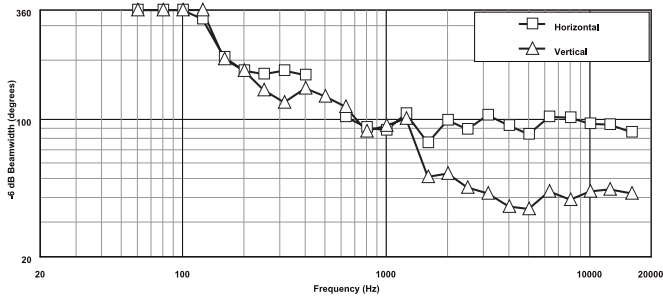
Frequency Response (Full & Half Space):



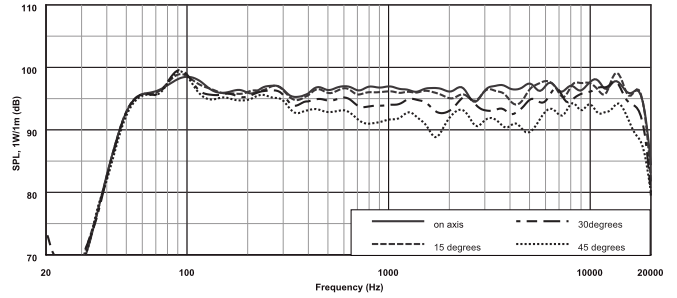
Impedance:



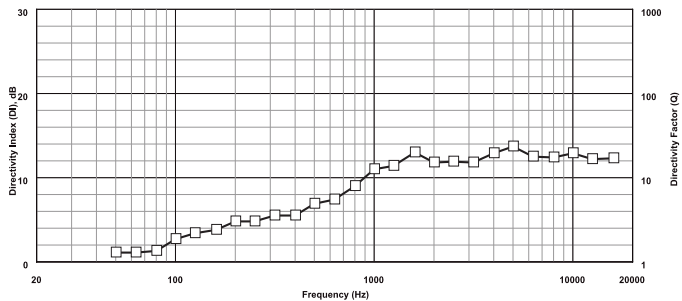
Beamwidth:



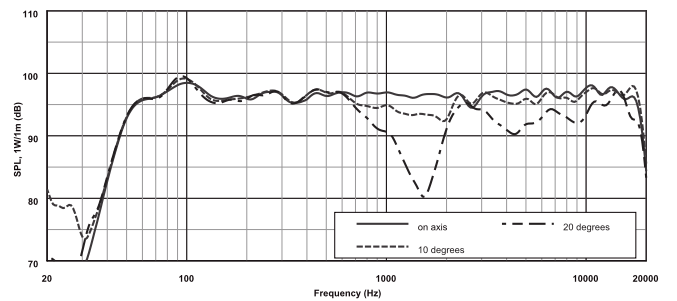
Horizontal Off Axis Frequency Response:



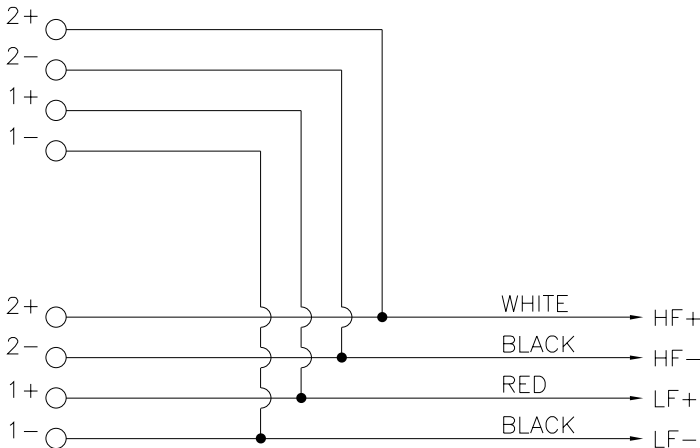
Directivity:



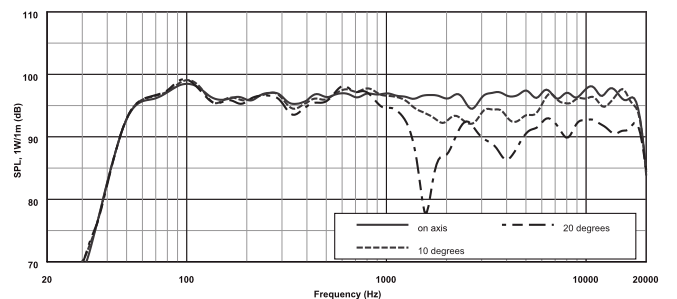
Vertical Off Axis Frequency Response (Up):



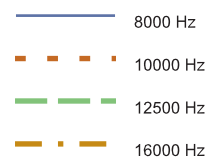
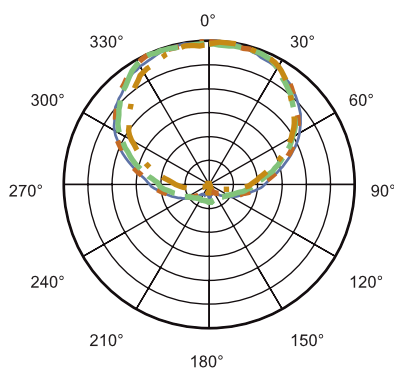
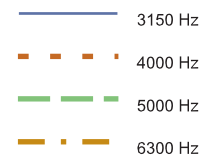
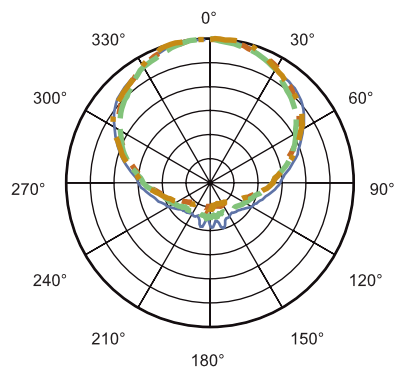
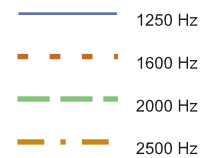
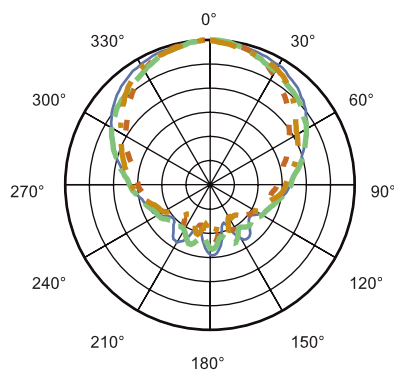
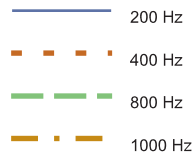
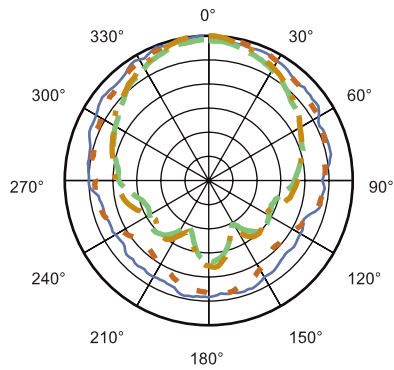
Wiring Diagram:



Vertical Off Axis Frequency Response (Down):

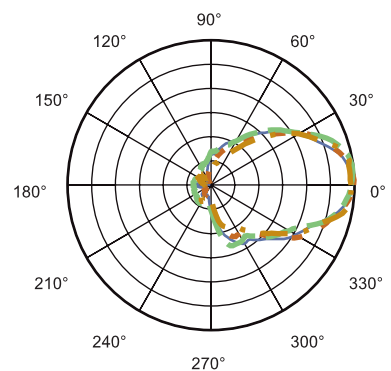
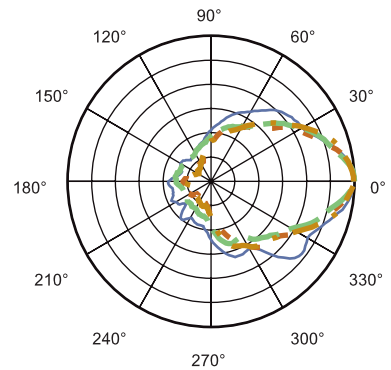
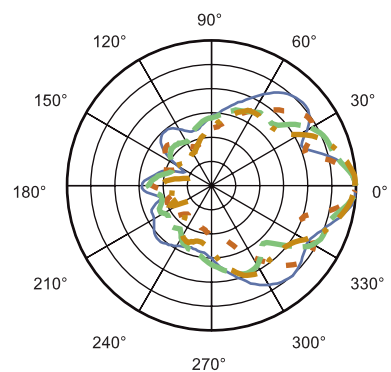
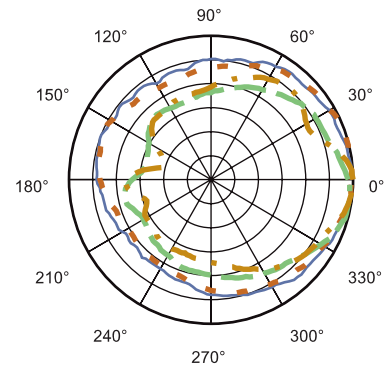


Horizontal 1/3 Octave Polars:

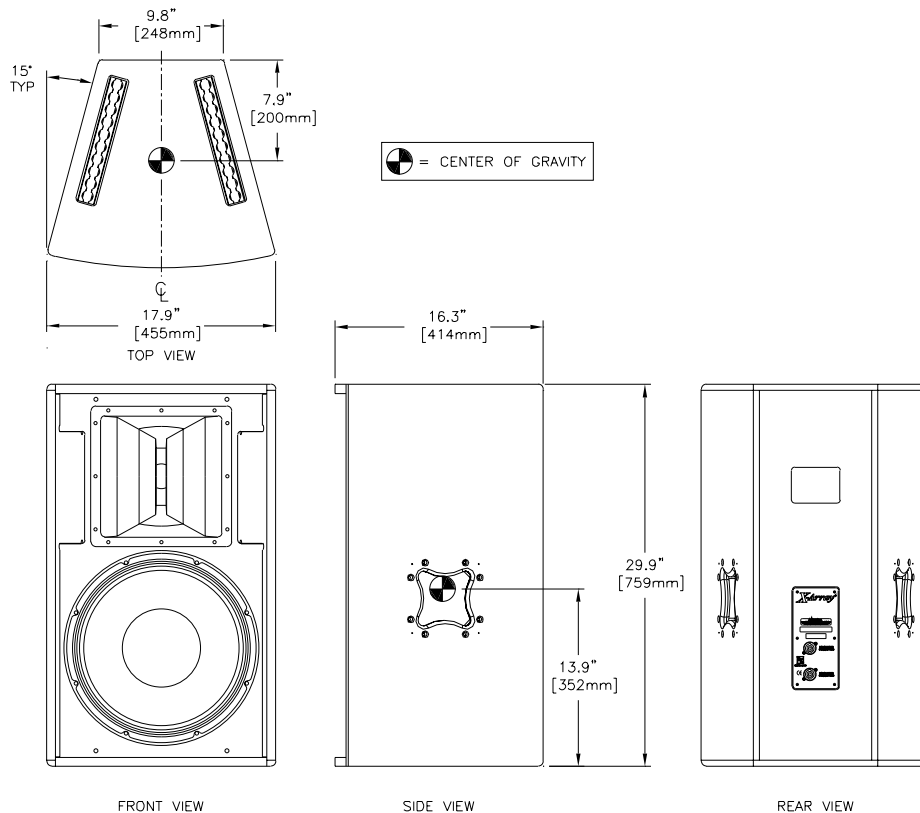


Graph scales are 6 dB per division

Vertical 1/3 Octave Polars:



Dimension Drawings:



CAUTION

This Xi Loudspeaker should be suspended overhead only in accordance with the procedures and limitations specified in the *X-Array Xi Install Flying Manual* and possible manual update notices. This system should be suspended with certified rigging hardware by an authorized rigging professional and in compliance with local, state, and federal overhead suspension ordinances.

Performance Match

- P3000 (RL)
- P1200 (RL)
- CPS 2.8
- CPS 2.11
- Dx38

Xi-1152A/94F Part Numbers

- 1057-3436 - Black
- 1057-3437 - White

Architectural & Engineering Specs:

The loudspeaker system shall be a two-way bi-amp system. The system shall have an 15-inch, low-frequency loudspeaker with a nominal impedance of 8 ohms and a 4-inch aluminum voice coil. The low-frequency driver shall have a power-handling capacity of 600 watts for 8 hours (as per ANSI/EIA RS-426 A & AES 2-1984). The high-frequency section shall employ a compression driver capable of handling 150 watts, 1,760- to 20,000-Hz when pink noise of a 6-dB crest factor is applied for 2 hours (as per AES 2-1984 and ANSI S4.26-1984 standards). The loudspeaker shall be constructed of 18-mm, 13-ply birch and shall be trapezoidal in shape. The wedge angle shall be 30-degrees. The grille shall be constructed from 16 GA powder-coated steel backed by acoustically transparent fabric. The system shall be capable of very-high level operation with a band width of 48 to 18,000 Hz. The system dimensions shall be 455 mm (17.90 inches) wide by 759 mm (29.88 inches) high by 414 mm (16.28 inches) deep. The system shall employ flying hardware of a "track" style, having two tracks on the enclosure top and two tracks on the enclosure bottom. The enclosure shall include a stand mount on the bottom of the enclosure. Net weight shall be 36.3 kg (80 lbs).

The loudspeaker shall be the Electro-Voice® Xi-1152A/94F.



12000 Portland Avenue South, Burnsville, MN 55337
Phone: 952/884-4051, Fax: 952/884-0043

www.electrovoice.com

© Telex Communications, Inc. 5/2004

Part Number 38110-273 Rev. A

U.S.A. and Canada only. For customer orders, contact Customer Service at:

800/392-3497 Fax: 800/955-6831

Europe, Africa, and Middle East only. For customer orders, contact Customer Service at:

+ 49 9421-706 0 Fax: + 49 9421-706 265

Other International locations. For customer orders, contact Customer Service at:

+ 1 952 884-4051 Fax: + 1 952 736-4212

For warranty repair or service information, contact the Service Repair department at:

800/685-2606

For technical assistance, contact Technical Support at: **866/78AUDIO**

Specifications subject to change without notice.